

Black Border Shows Page End and Should Not Print

CZQTV5M



# CEILING MOUNTED QUARTZ HEATER

## INSTRUCTION MANUAL

### FEATURES:

- Adjustable Angle Halogen Light
- Two Heat Settings: 760/1500 Watts
- Pull String Switch Controls Heat Settings and Halogen Light
- High Efficiency Quartz Elements Provides Immediate Safe Heat
- Power Indicator Light.
- Durable Metal Housing
- 90° Vertical Tilting Bracket
- 3-Prong Grounded Plug
- 120V A.C., 60Hz., 12.5A, 5120 BTU's



Save These Instructions

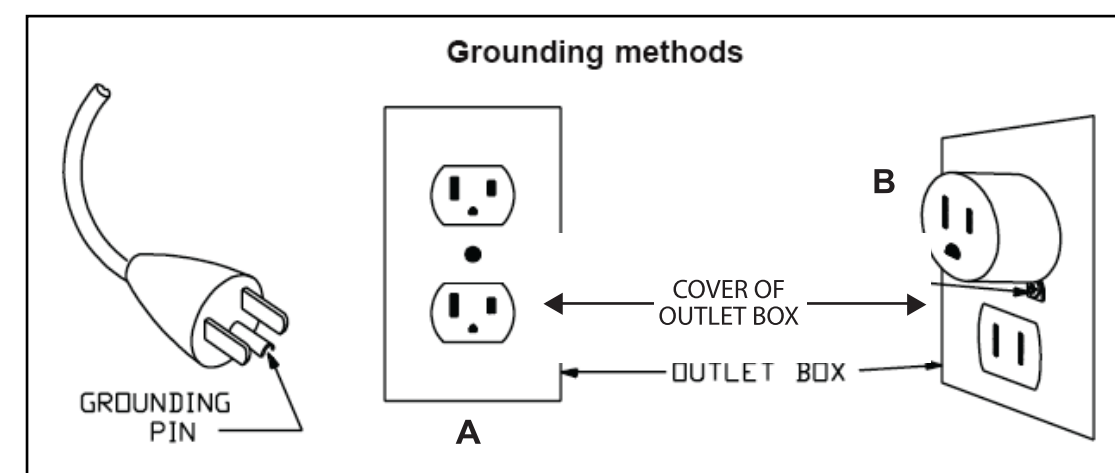
Black Border Shows Page End and Should Not Print

### IMPORTANT INSTRUCTIONS

- When using electrical appliances, basic precautions should always be followed to reduce the risk of fire, electric shock, and injury to persons, including the following:
1. Read all instructions before using this heater.
  2. Do not touch body of heater when in use. This heater is hot when in use, to avoid burns, do not let bare skin touch hot surfaces. If provided, use handles when moving this heater. Keep combustible materials, such as furniture, pillows, bedding, papers, clothes, and curtains at least 3 feet (0.9m) from the front of the heater and keep them away from the sides and rear.
  3. Do not leave heater on unattended. Extreme caution is necessary when any heater is used by or near children or invalids.
  4. Always unplug heater when not in use.
  5. Do not operate any heater with a damaged cord or plug or after the heater malfunctions, has been dropped or damaged in any manner. Return heater to our customer service dept. for examination, electrical or mechanical adjustment, or repair. (See the section "For Repairs" on later)
  6. Do not use outdoors.
  7. Use your heater only in dry environments. This heater is not intended for use in a bathroom, laundry area, or similar locations, or near sinks, washing machines, swimming pools or other sources of water. Never locate heater where it may fall into a bathtub or other water container. Do not use heater outdoors. Do not use in damp environments such as flooded basements.
  8. Do not run cord under carpeting. Do not cover cord with throw rugs, runners, or the like. Arrange cord away from traffic area and where it will not be tripped over.
  9. To disconnect heater, turn controls to off, then remove plug from outlet.
  10. Connect to properly grounded outlet only.
  11. Do not insert or allow foreign objects to enter any ventilation or exhaust opening as this may cause an electric shock or fire, or damage the heater.
  12. To prevent a possible fire, do not block air intakes or exhaust in any manner. Do not use on soft surface, like a bed where openings may become blocked.
  13. A heater has hot and arcing or sparking parts inside. Do not use it in areas where gasoline, paint, or flammable liquids are used or stored.
  14. Use this heater only as described in this manual. Any other use not recommended by the manufacturer may cause fire, electric shock, or injury to persons.
  15. Always plug heaters directly into a wall outlet/receptacle. Never use with an extension cord or relocatable power tap (outlet/power strip). Always unplug heater/fan when not in use.

### SAVE THESE INSTRUCTIONS

This heater is for use on 120 volts. The cord has a plug as shown at "A" in Figure. An adapter as shown at "B" is available for connecting three-blade grounding-type plugs to two-slot receptacles. The green grounding lug extending from the adapter must be connected to a permanent ground such as a properly grounded outlet box. The adapter should not be used if a three-slot grounded receptacle is available.



### REPLACING HALOGEN LAMP

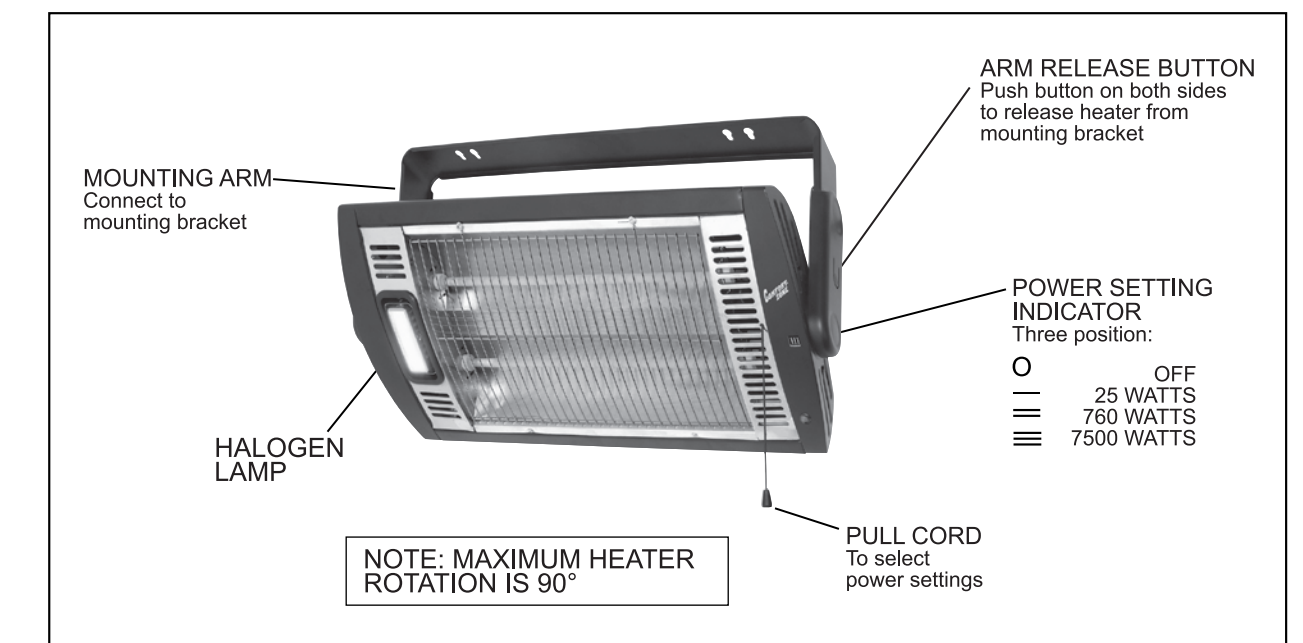
This model heater features an exclusive, replaceable halogen lamp system. In the event that a halogen lamp in this heater should break, burn-out or become inefficient, you can purchase replacement halogen lamps. Halogen lamps (use only type G9, 120V., 60Hz., 25Watt) are available at most hardware and home center stores.

**NOTE: Never touch Halogen lamp with bare hands. Oil residue from bare hands will cause lamp failure.**

Page 2

Black Border Shows Page End and Should Not Print

1. Unplug heater, then remove it from Mounting Bracket.
2. Open lampshade: Remove the screw located at the side of lampshade and open the lampshade.
3. Remove old lamp: Grasp the old lamp and carefully pull it out of the lamp holder
4. Install new lamp: Install new lamp using clean cloth or gloves. Insert end of the lamp into the lamp holder  
Warning: Replacement bulb rating must not exceed 25-watts.
5. Close lampshade and re-install screw. Snap heater onto properly installed mounting bracket before use



### GETTING STARTED:

FIRST CHOOSE A MOUNTING INSTALLATION OPTION

**WARNING:** This unit is intended for use ONLY as a ceiling mounted heater. Mounting on a wall or sloping surface such as a roof is a risk of fire due to possible overheating of the unit or igniting nearby combustible materials.

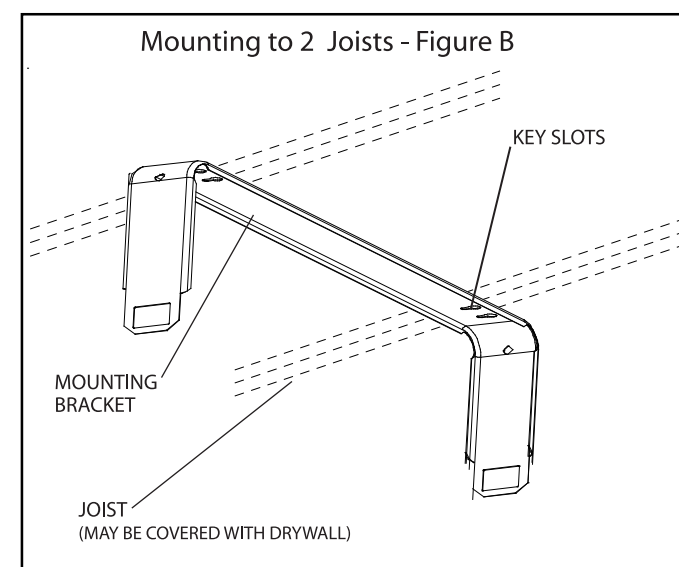
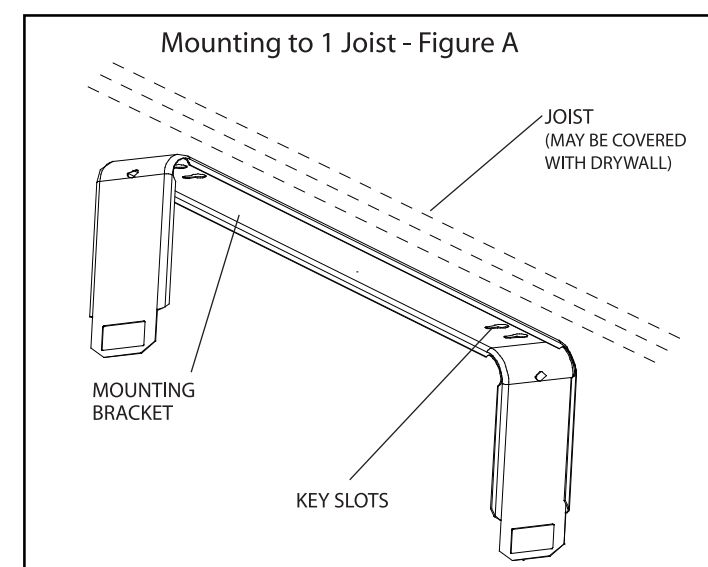
### KEY SLOT

#### MOUNTING INSTALLATION

1. Locate a desired position on your ceiling in the area to be warmed. (Heater should be at least 3 feet (0.9m) away from the nearest wall or other combustible material)
2. The mounting bracket may be attached to a single joist (Fig. A) or span across two joists (Fig. B) Failure to mount heater to joists can result in injury and/or fire hazards.
3. If you are installing the bracket to an unfinished ceiling with exposed joists, proceed to step 4. On a finished ceiling the joists are hidden behind the ceiling dry wall or plaster. You must locate and mark the location of the center of the joists in the mounting area. Joists are typically 1-1/2 inch (38mm) wide and 16 inch (406mm) or 18 inch (457mm) apart. They usually run parallel with the narrow dimension of the room. A "Stud Finder" available at most hardware stores may help in locating the center of these hidden joists.
4. Using the mounting bracket as a template, line up one of the key slots at each end of the bracket with one or two joists and mark the slotted openings. If you cannot line up the holes in the bracket with the joists you will have to use other mounting methods. See "Installing a Mounting Board."
5. Using a 1/8 inch (3.2mm) drill bit, drill a hole in the center of each marked key slot. Install the two screws provided leaving about 1/4 inch (6.4mm) between the head of the screw and the mounting surface. Slip the mounting bracket over the screw heads and slide the bracket to engage the screws in the slots. Tighten screws securely.

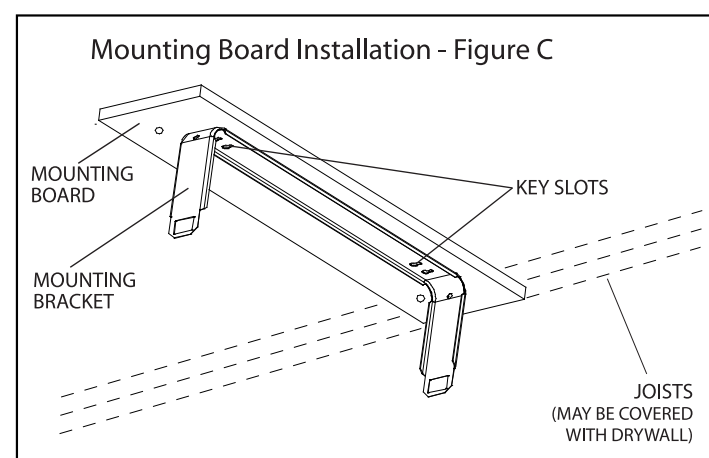
Page 3

8.50"



### INSTALLING A MOUNTING BOARD (If required)

If your joists are more than 18 inch (457mm) apart, or you have chosen to mount the heater at an angle to the joists as in a corner or to a suspended ceiling, a mounting board will be needed to provide a surface to attach the mounting bracket (Fig. C). The mounting board should be a board measuring approximately 1 inch (25.4mm) thick by 2 inch (50.8mm) and 18 inch (457mm) in length or long enough to span two or more joists (For Suspended Ceiling installations make the length 23.75 inch (603.25mm) exactly). For swivel or key slot installations, securely bolt or screw the mounting board into desired position. Continue with the installation following the instructions for the desired heater bracket mounting installation.

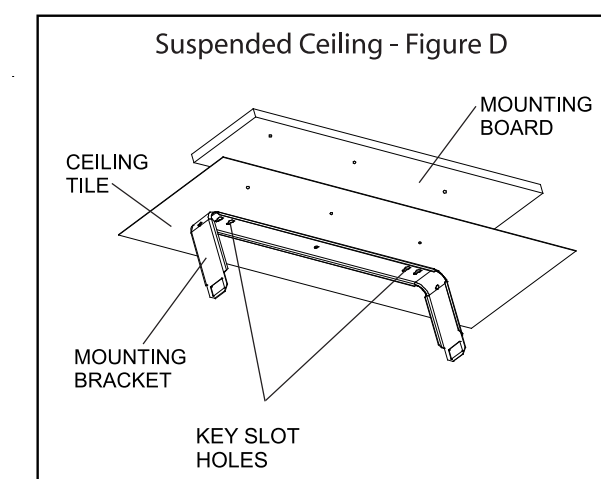


### SUSPENDED CEILING

#### MOUNTING INSTALLATION

1. Select a ceiling tile in the desired location and a mounting installation option (either Swivel or key Slot installation. See previous page for option descriptions). (Note: heater should be at least 3 feet (0.9m) away from the nearest wall or other combustible material)
2. Using the mounting bracket as a template, mark the tile with the appropriate hole location(s).
3. Construct a Mounting Board. See "Installing a Mounting Board" on the previous page. Note the length of the board should be exactly 23.75 inch (603.25mm) long.
4. Remove the marked tile from the ceiling. Position the mounting board behind the tile and behind the marked hole location(s). Make sure the ends of the mounting board and the tile are aligned.
5. Drill 1/8 inch (3.2mm) hole(s) THROUGH THE TILE AND MOUNTING BOARD WHERE MARKED.
6. Using the hardware supplied, attach the mounting bracket to the mounting board with the ceiling tile sandwiched in between. (See Fig. D below)
7. Reinstall assembled heater bracket/ceiling tile/mounting board in ceiling. Refer to "Attaching Heater to Mounting Bracket" in these instructions.

Page 4



### ATTACHING HEATER TO MOUNTING BRACKET

**(Warning: Always remove screw from each arm first before attaching heater to mounting bracket. Do not forget to replace the screws back to each arm after attaching heater, otherwise heater could slide out of mounting bracket and cause injury or damage.)**

1. Your heater is equipped with rotating arms at each end of the unit. To conserve space in shipment these arms are in line with the heater body and must be repositioned before installation. With your heater laying face down, rotate each arm slowly upward until they are perpendicular to the body. For safety reasons, once rotated, the arms cannot be returned to their original position.
  2. Remove screw from both arms, then holding the heater by the arms (one in each hand) slide the arms onto the mounting bracket until it locks into place.
  3. Replace the screws back to each arm after attaching heater (Do not forget to replace the screws back into each arm and nut after you finish attaching it to the heater, otherwise would cause heater to slide out of mounting bracket and cause injury or damage.)
  4. Plug the heater into a 120V A.C. grounded outlet. Keep the cord away from the front of the heater. Use of an extension cord is not recommended. If an extension cord must be used, it must be at least 14 AWG wire size and have a minimum rating of 1875 watts.
  5. Adjust the angle and rotation of the heater to direct the heat where needed.
- CAUTION:** Do not adjust the heater while it is operating. Do not adjust the halogen lamp while it is operating. The metal parts of the housing and the lampshade get very hot and can cause a burn. Always turn your heater off and allow time for it to cool before adjusting.

### REMOVING HEATER FROM MOUNTING BRACKET

1. Unplug heater and allow to cool.
2. Remove screw from each arm.
3. Push-in the two tabs on the outside of each arm
4. Grasp both arms and simultaneously pull the unit down while holding the tabs in.

**WARNING:** Do not attempt to remove the heater one arm at a time as this could cause damage to the heater cabinet. **NOTE:** The rotating arms on this heater will not fold flat with the body of the heater for safety reasons. Attempting to fold this heater flat could cause damage to the heater housing.

### OPERATING INSTRUCTIONS

Inspect heater for damage which may have occurred during shipment. DO NOT operate if any damage is noted. Return damaged heater to retailer or factory for repair or replacement.

1. Install heater to an overhead location (SEE INSTALLATION INSTRUCTIONS)
2. Plug heater into 120VOLT, 60Hz. AC grounded plug. See "Important Instructions" at the beginning of this book.
3. Rotate heater to aim in desired direction.  
**WARNING:** Do not rotate this heater while it is operating or hot. The cabinet can be very hot. Do not aim heater at any surface closer than 3 feet.
4. Set Power Setting Indicator to the desired position by pulling the pull-cord. See illustrations below.

Page 5

### POWER SETTING INDICATOR

- 0 Off Position
  - Position 1: 25 Watts, Light only
  - ≡ Position 2: 760 Watts, Light and One Heating Element
  - ≡≡ Position 3: 1500 Watts, Light and Both Elements
- Note: Only ONE quartz tube glows at the 760 watt setting. BOTH tubes glow at the 1500 watt setting. The halogen lamp Glows in all "ON" positions.

### PET OWNERS NOTE:

The health of birds and some small pets are extremely sensitive to the fumes given off during the initial use of many appliances. Although these fumes are not harmful to humans, it is recommended that this heater not be used around birds and small pets during its initial use until the manufacturing corrosion coatings burn off.

### CLEANING:

Make sure to disconnect the plug from the wall outlet before any servicing is started. Always allow the heater to cool completely. Do not pour water on or submerge any portion of heater or any other liquid. Allow unit to completely dry before plugging the heater in to a receptacle.

### Interior and Exterior:

1. Never use any harsh or abrasive cleaners on the heater.
2. Clean exterior with a soft damp cloth and mild detergent.
3. To clean interior, first remove the heater from the mounting bracket. (See installation instructions) Then remove 4 screws from the grille. Be sure to reattach the grille with the screw before operating heater again. Never touch the quartz elements with bare hands. Do not use cleaners on the inside of the heater. Simply wipe any debris with a moist cloth.

### LIMITED WARRANTY

Products manufactured by Comfort Zone® are warranted to the original consumer to be free of defects in material and workmanship for twelve (12) months from the original date of purchase. The warranty does not cover products modified outside our factory, damage or failure caused by acts of God, abuse, misuse, abnormal usage, faulty installation, failure to follow suggested maintenance procedures enclosed with this product (as defined by Magnuson-Moss Warranty-Federal Trade Commission Improvement Act) This unit is guaranteed to the original retail purchaser against defects in quality or workmanship for a period of one year from the date of original purchase. If this unit fails because of a manufacturing defect within 30 days of purchase, return the unit, with your receipt, to the retailer. After 30 days, but within the warranty period, if the unit was purchased within the continental United States, return it, freight prepaid, to Comfort Zone® for repair or replacement. If the unit was purchased outside the continental United States, return the unit to the place of purchase. This warranty does not cover damage due to accidents, operation on other than 120 volts, 60Hz, AC, current, or any other abuse. All implied warranties, including the warranties of merchantability and of fitness of purpose, if applicable, are hereby limited in duration to the period of one year from the date of original retail purchase. Some states do not allow limitations on how long an implied warranty lasts, so the above limitations may not apply to you. Incidental or consequential damages arising from a breach of either express or implied warranties are hereby disclaimed and excluded. Some states do not allow the exclusion of limitation of incidental or consequential damages, so this limitation or exclusion may not apply to you. This warranty gives you specific legal rights, and you may also have other rights which vary from state to state. No informal dispute settlement mechanisms are available. This limited warranty is given in lieu of all other warranties.

Manufactured by:  
Comfort Zone®  
324A Half Acre Rd.  
Crantbury, NJ 08512 USA  
800-523-1268  
www.comfortzoneheaters.net



Rev:112612

Page 6

Black Border Shows Page End and Should Not Print

Black Border Shows Page End and Should Not Print

Black Border Shows Page End and Should Not Print